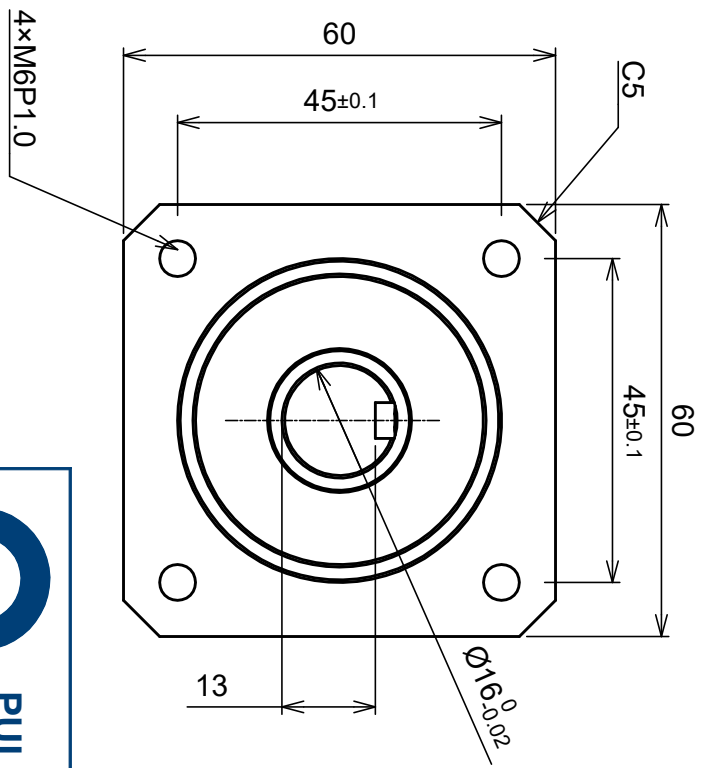
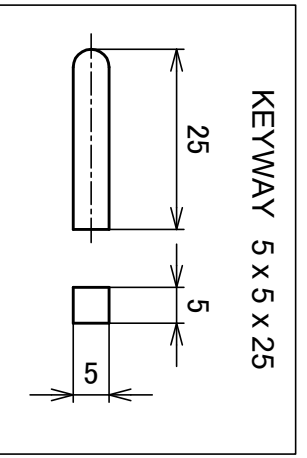


Reduction Ratio	Gear Box	"L" Dimension
67	3-Stage	245
45		
33		
27	2-Stage	220
18		
15		
11		
09		



DATE: 14-JUL-2021	TITLE: WASHDOWN PGD AI 2 & 3 STAGE GEARBOX
DESIGNED BY:	PART NUMBER PGD024-SE2-xxWAA
CHECKED BY:	FOR: SENERGY AI MOTOR DRIVE
SCALE: NONE	PULSEROLLER STANDARDS
SHEET: 1 OF 1	DWG. NO.: PGD024-SE2-xxWAA
REV.:	REV.:
DATE:	DESCRIPTION:

THE INFORMATION CONTAINED HEREIN IS CONFIDENTIAL AND IS SUBMITTED IN CONFIDENCE AND IS PROPRIETARY INFORMATION OF PULSEROLLER AND SHALL BE USED ONLY IN CONNECTION WITH AND PERFORMANCE OF THE CONTRACT OF WHICH THIS DRAWING FORMS A PART, AND SHALL NOT, WITHOUT PULSEROLLER PRIOR WRITTEN APPROVAL, BE REPRODUCED OR IN ANY OTHER WAY USED IN WHOLE OR IN PART BY OTHERS.

REV.	DATE	DESCRIPTION
✓		