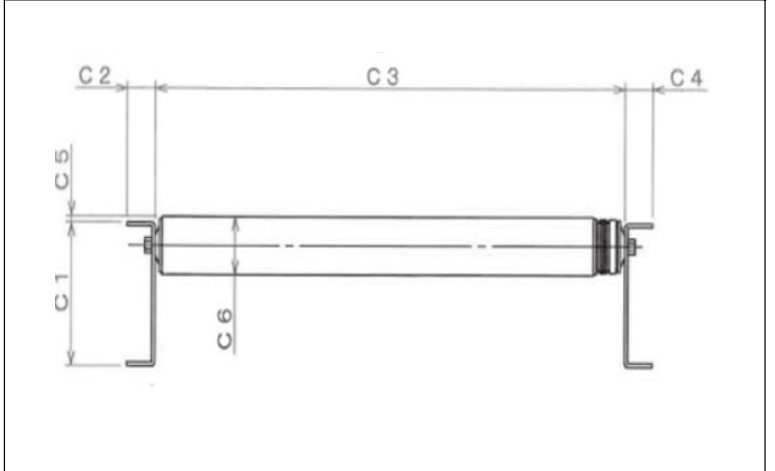




Company Name: _____
 Date: _____
 Project #: _____

Item	Description	Entry space
-	The amount of PDU90 belt unit	2 • 3 • 4
A1	Roller pitch where belt units sit	[mm]
A2	Zone length where PDU90 is mounted	[mm]
A3	Belt pitch ①	[mm]
A4	Belt pitch ②	[mm]
A5	Belt pitch ③	[mm]
B1	Position of holes to fix PDU90①(on the side face)	[mm]
B2	Position of holes to fix PDU90②(on the side face)	[mm]
B3	Position of holes to fix PDU90③(on the side face)	[mm]
B4	Dimeter of holes to fix PDU90(on the side face)	[mm]
C1	Dimension of the roller conveyor frame①	[mm]
C2	Dimension of the roller conveyor frame②	[mm]
C3	Between frame length	[mm]
C4	Dimension of the roller conveyor frame④	[mm]
C5	Dimension	[mm]
C6	Roller diameter ※2	[mm]
D1	Position of holes to fix PDU90① (on the bottom face)	[mm]
D2	Position of hole to fix PDU90② (on the bottom face)	[mm]
D3	Position of hole to fix PDU90③ (on the bottom face)	[mm]
D4	Diameter of hole to fix PDU90 (on the bottom face)	[mm]

1. Please fill in the roller pitch directly on this sheet in case of irregular roller pitch.
 2. PDU90 is suitable for Micro-V (Poly-vee) roller conveyor zones.(φ48.6mm or φ50mm)
 Note: Stay-bar (Cross-bar) or conveyor legs cannot be used where PDU90 is installed.



■ Please fill in above table.
 ■ If there are any specific notes, please write it on the drawing directly.

CUSTOMER NOTES

Printed Name: _____
 Signature: _____
 Date: _____

Internal Use Only