

DUS Daten- und Steuerungstechnik GmbH
 Hinterm Liesch 33 • D-57250 Netphen Dreis-Tiefenbach

info@dus-gmbh.de

<http://www.dus-gmbh.de>

Company Kyowa Europe GmbH
 Street Opladener Straße 2a
 City D-42799 Leichlingen



www.pulseroller.com

Project Makros_Kyowa-Europe_2018-06
 Project description Macros for Kyowa Europe GmbH
 Status 06-2018
 Created with EPLAN Electric P8 2.7.3.11647

Manufacturer (Company) DUS Daten- und Steuerungstechnik GmbH
 Responsible for project Stefan Hellwig

Created on 30.05.2018 by (short name) SHE
 Edit date 06.06.2018 by (short name) SHE

Number of pages 25

			Date	06.06.2018	Macros for Kyowa Europe GmbH		Title page / cover sheet	==	KYO	Page from 1 to 25
			Ed.	SHE				=	DOC	
			Appr					++		
Modification	Date	Name	Original		Replacement of	Replaced by		+		Page



Macros for Eplan Electric P8

LEGAL NOTICE AND EXCLUSION OF LIABILITY

This project is all rights reserved and the intellectual property of the company

Kyowa Europe GmbH
 Opladener Straße 2a
 D-42799 Leichlingen

All statements are made with the best intentions and the best of our knowledge and belief.
 For the correctness and completeness of the specification no adhesion is taken over.
 No responsibility is accepted for the using of the product data with the CAE system Eplan Electric P8.

Project structure

This project is a macro project and contains CAE data for Eplan Electric P8.

Data directories:

..\EPLAN\Electric P8\...\ KYO\...

Parts data:

For all macros parts data have been created.
 They apply to the internal part selection.

For the data exchange between parts data and project / project and parts data the Eplan Electric P8 functions for synchronize parts data will be use.

			Date	06.06.2018	Macros for Kyowa Europe GmbH		Project description	== KYO	Page	3	
			Ed.	SHE				= DOC		from	2
			Appr					++		25	
Modification	Date	Name	Original		Replacement of	Replaced by		+	Page	2	

Table of contents

Page	Sheet	Page description	Date	Last editor
==KYO=DOC/1	1	Title page / cover sheet	06.06.2018	SHE
==KYO=DOC/2	2	Project description	06.06.2018	SHE
==KYO=DOC/3	3	Table of contents	06.06.2018	SHE
==KYO=PARTS/1	4	Parts list	06.06.2018	SHE
==KYO=Binäre Steuerung++EQube Ai+30-10-0001/1	5	EQube Ai	06.06.2018	SHE
==KYO=Feldbussteuerung++ConveyLinx Ai2+30-10-0002/1	6	ConveyLinx Ai2	06.06.2018	SHE
==KYO=Feldbussteuerung++ConveyLinx Ai2+30-10-0002/2	7	ConveyLinx Ai2	06.06.2018	SHE
==KYO=Feldbussteuerung++ConveyLinx Ai2+30-10-0002/3	8	ConveyLinx Ai2	06.06.2018	SHE
==KYO=Feldbussteuerung++ConveyLinx Ai2+30-10-0002/4	9	ConveyLinx Ai2	06.06.2018	SHE
==KYO=Feldbussteuerung++ConveyLinx Ai2+30-10-0002/5	10	ConveyLinx Ai2	06.06.2018	SHE
==KYO=Feldbussteuerung++MotionLinx Ai+30-10-0004/1	11	MotionLinx Ai	06.06.2018	SHE
==KYO=Feldbussteuerung++MotionLinx Ai+30-10-0004/2	12	MotionLinx Ai	06.06.2018	SHE
==KYO=Feldbussteuerung++MotionLinx Ai+30-10-0004/3	13	MotionLinx Ai	06.06.2018	SHE
==KYO=Feldbussteuerung++MotionLinx Ai+30-10-0004/4	14	MotionLinx Ai	06.06.2018	SHE
==KYO=Feldbussteuerung++MotionLinx Ai+30-10-0004/5	15	MotionLinx Ai	06.06.2018	SHE
==KYO=I/O Modul++ConveyLinx I/O+30-10-0003/1	16	ConveyLinx I/O	06.06.2018	SHE
==KYO=I/O Modul++ConveyLinx I/O+30-10-0003/2	17	ConveyLinx I/O	06.06.2018	SHE
==KYO=I/O Modul++ConveyLinx I/O+30-10-0003/3	18	ConveyLinx I/O	06.06.2018	SHE
==KYO=I/O Modul++ConveyLinx I/O+30-10-0003/4	19	ConveyLinx I/O	06.06.2018	SHE
==KYO=I/O Modul++ConveyLinx I/O+30-10-0003/5	20	ConveyLinx I/O	06.06.2018	SHE
==KYO=I/O Modul++MotionLinx I/O+30-10-0005/1	21	MotionLinx I/O	06.06.2018	SHE
==KYO=I/O Modul++MotionLinx I/O+30-10-0005/2	22	MotionLinx I/O	06.06.2018	SHE
==KYO=I/O Modul++MotionLinx I/O+30-10-0005/3	23	MotionLinx I/O	06.06.2018	SHE
==KYO=I/O Modul++MotionLinx I/O+30-10-0005/4	24	MotionLinx I/O	06.06.2018	SHE
==KYO=I/O Modul++MotionLinx I/O+30-10-0005/5	25	MotionLinx I/O	06.06.2018	SHE

Parts list

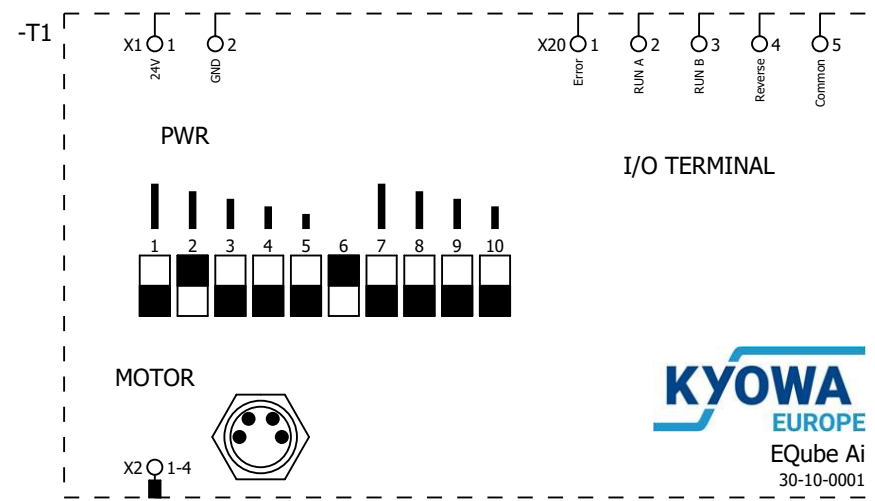
device tag	Quantity QU	Designation 1 Designation 2 Designation 3	Type number Order number	manufacturer supplier	manufacturer's name supplier name	part number function text
==KYO =Binäre Steuerung ++EQube Ai +30-10-0001	1	EQube Ai Binary Controller 3 x DI + error output	EQube Ai 30-10-0001	KYO KYO	Kyowa Europe Kyowa Europe	KYO.30-10-0001
==KYO =Feldbussteuerung ++ConveyLinx Ai2 +30-10-0002	1	ConveyLinx Ai2 Fieldbus Controller PROFINET, EtherNet/IP, Modbus/TCP Control for two zones	ConveyLinx Ai2 30-10-0002	KYO KYO	Kyowa Europe Kyowa Europe	KYO.30-10-0002
==KYO =Feldbussteuerung ++MotionLinx Ai +30-10-0004	1	MotionLinx Ai Fieldbus Controller ETHERCAT Control for two zones	MotionLinx Ai 30-10-0004	KYO KYO	Kyowa Europe Kyowa Europe	KYO.30-10-0004
==KYO =I/O Modul ++ConveyLinx I/O +30-10-0003	1	ConveyLinx I/O module PROFINET, EtherNet/IP, Modbus/TCP 8 x I/O	ConveyLinx I/O 30-10-0003	KYO KYO	Kyowa Europe Kyowa Europe	KYO.30-10-0003
==KYO =I/O Modul ++MotionLinx I/O +30-10-0005	1	MotionLinx I/O module EtherCAT 8 x I/O	MotionLinx I/O 30-10-0005	KYO KYO	Kyowa Europe Kyowa Europe	KYO.30-10-0005

=DOC/3

=Binäre Steuerung++EQube Ai+30-10-0001/1

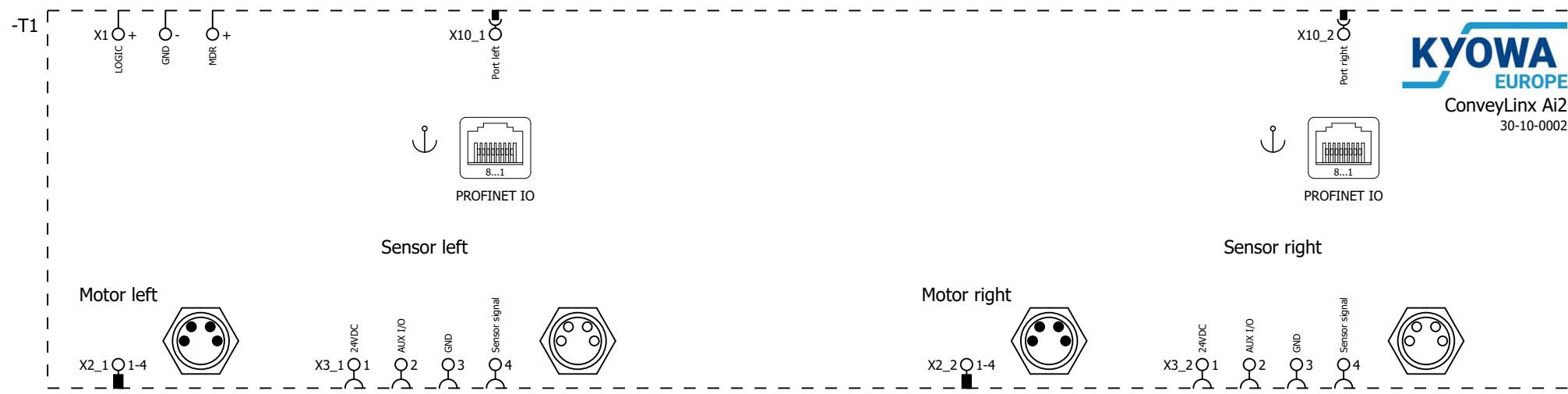
Date	06.06.2018	Macros for Kyowa Europe GmbH		Parts list	== KYO	Page 4	
Ed.	SHE				= PARTS		from 25
Appr					++		
Modification	Date	Name	Original	Replacement of	Replaced by	+	Page 1

KYO\EQube Ai\30-10-0001.ema
 Variante A
 Allpolig
 2018-06
 EQube Ai Binary Controller
 3 x DI + error output



			Date	06.06.2018	Macros for Kyowa Europe GmbH		EQube Ai	== KYO	Page 5	
			Ed.	SHE				= Binäre Steuerung		from 25
			Appr					++ EQube Ai		
Modification	Date	Name	Original		Replacement of	Replaced by		+ 30-10-0001	Page 1	

KYO\ConveyLinx Ai2\30-10-0002.ema
 Variante A
 Allpolig
 2018-06
 ConveyLinx Ai2 Fieldbus Controller
 PROFINET, EtherNet/IP, Modbus/TCP



Modification	Date	Name	Original	Replacement of	Replaced by
--------------	------	------	----------	----------------	-------------

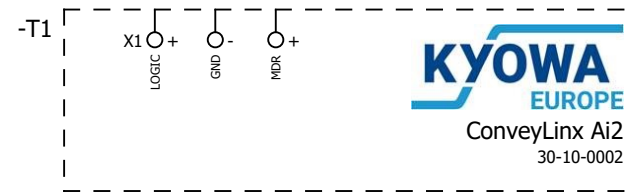
Date	06.06.2018
Ed.	SHE
Appr	
Macros for Kyowa Europe GmbH	



ConveyLinx Ai2

== KYO	Page from	6 25
= Feldbussteuerung		
++ ConveyLinx Ai2		
+ 30-10-0002		
	Page	1

KYO\ConveyLinx Ai2\30-10-0002.ema
 Variante B
 Allpolig
 2018-06
 ConveyLinx Ai2 Fieldbus Controller
 PROFINET, EtherNet/IP, Modbus/TCP

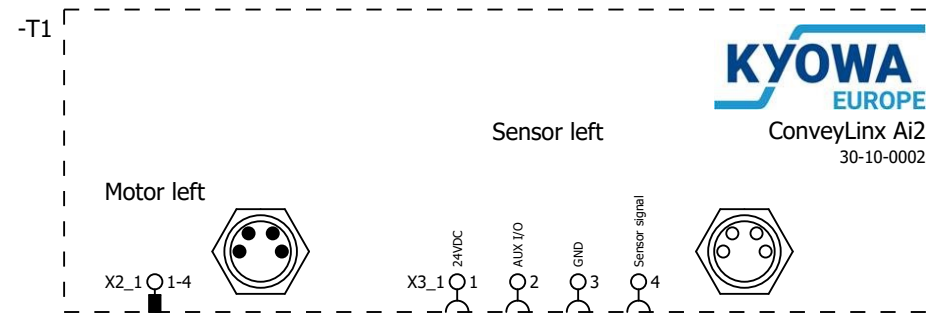


1

3

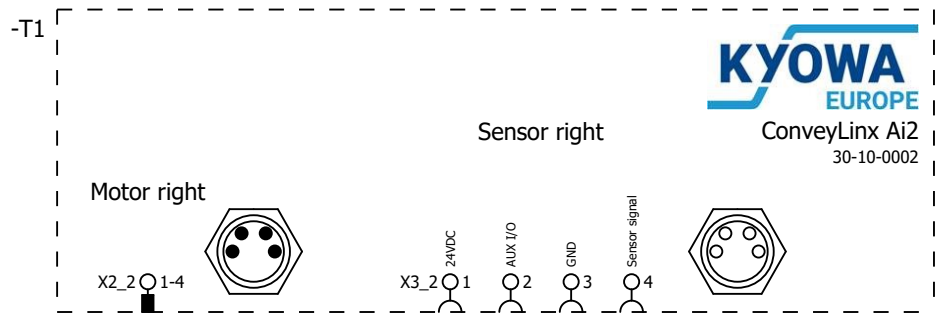
			Date	06.06.2018	Macros for Kyowa Europe GmbH		ConveyLinx Ai2	== KYO	Page 7 from 25 Page 2
			Ed.	SHE				= Feldbussteuerung	
			Appr					++ ConveyLinx Ai2	
Modification	Date	Name	Original	Replacement of	Replaced by	+ 30-10-0002			

KYO\ConveyLinx Ai2\30-10-0002.ema
 Variante C
 Allpolig
 2018-06
 ConveyLinx Ai2 Fieldbus Controller
 PROFINET, EtherNet/IP, Modbus/TCP



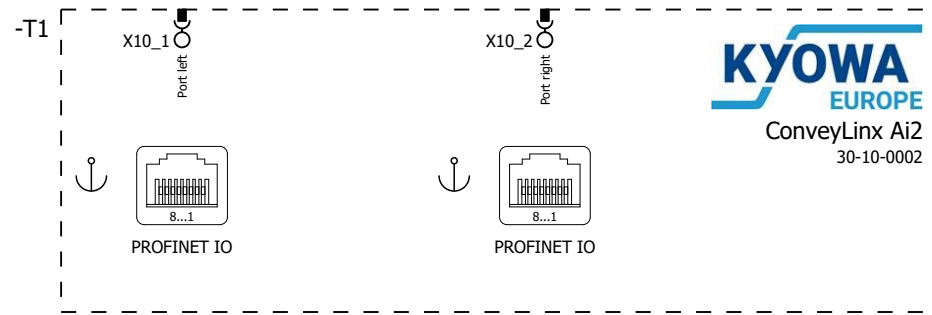
			Date	06.06.2018	Macros for Kyowa Europe GmbH			ConveyLinx Ai2	== KYO	Page 8	
			Ed.	SHE					= Feldbussteuerung		from 25
			Appr						++ ConveyLinx Ai2		
Modification	Date	Name	Original		Replacement of	Replaced by	+ 30-10-0002	Page 3			

KYO\ConveyLinx Ai2\30-10-0002.ema
 Variante D
 Allpolig
 2018-06
 ConveyLinx Ai2 Fieldbus Controller
 PROFINET, EtherNet/IP, Modbus/TCP



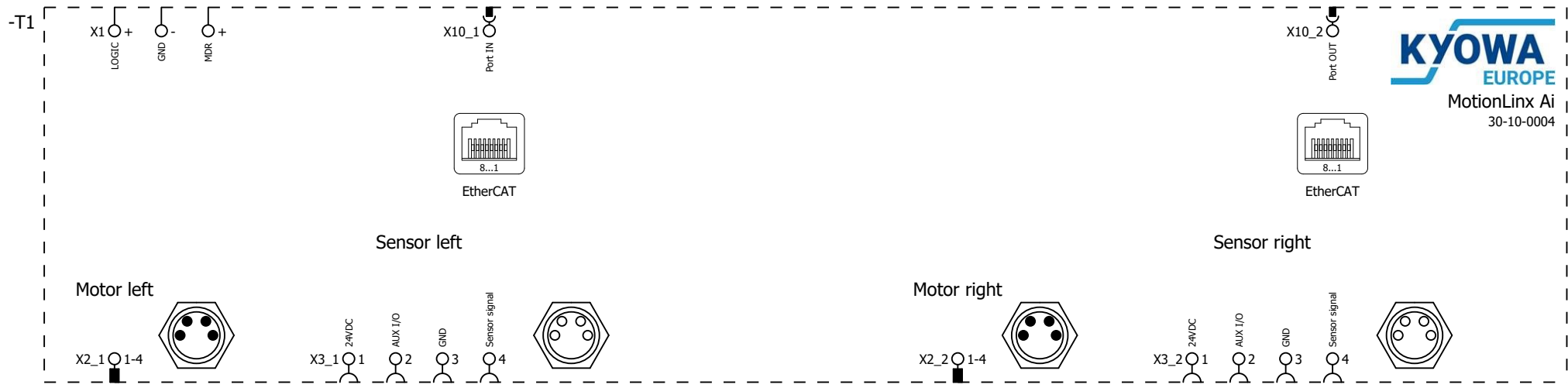
			Date	06.06.2018	Macros for Kyowa Europe GmbH			ConveyLinx Ai2	== KYO	Page 9 from 25 Page 4
			Ed.	SHE					= Feldbussteuerung	
			Appr						++ ConveyLinx Ai2	
Modification	Date	Name	Original		Replacement of	Replaced by	+ 30-10-0002			

KYO\ConveyLinx Ai2\30-10-0002.ema
 Variante A
 Einpolig
 2018-06
 ConveyLinx Ai2 Fieldbus Controller
 PROFINET, EtherNet/IP, Modbus/TCP



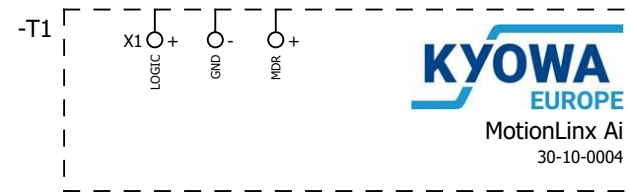
			Date	06.06.2018	Macros for Kyowa Europe GmbH			ConveyLinx Ai2	== KYO	Page 10	
			Ed.	SHE					= Feldbussteuerung		from 25
			Appr						++ ConveyLinx Ai2		
Modification	Date	Name	Original		Replacement of	Replaced by			+ 30-10-0002	Page 5	

KYO\MotionLinx Ai\30-10-0004.ema
 Variante A
 Allpolig
 2018-06
 MotionLinx Ai Fieldbus Controller
 EtherCAT



			Date	06.06.2018	Macros for Kyowa Europe GmbH		MotionLinx Ai	== KYO	Page 11	
			Ed.	SHE				= Feldbussteuerung		from 25
			Appr					++ MotionLinx Ai		
Modification	Date	Name	Original		Replacement of	Replaced by		+ 30-10-0004	Page	

KYO\MotionLinx Ai\30-10-0004.ema
 Variante B
 Allpolig
 2018-06
 MotionLinx Ai Fieldbus Controller
 EtherCAT

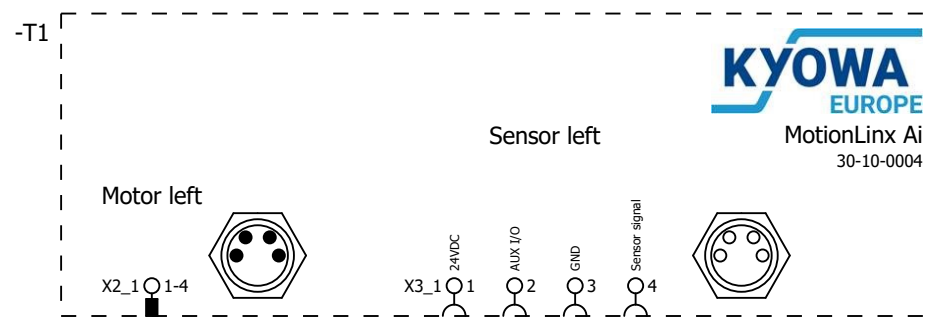


1

3

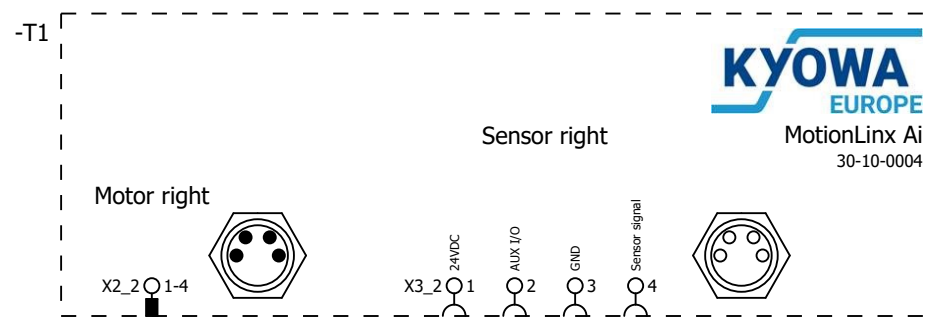
			Date	06.06.2018	Macros for Kyowa Europe GmbH			MotionLinx Ai	== KYO	Page 12	
			Ed.	SHE					= Feldbussteuerung		from 25
			Appr						++ MotionLinx Ai		
Modification	Date	Name	Original		Replacement of	Replaced by			+ 30-10-0004	Page 2	

KYO\MotionLinx Ai\30-10-0004.ema
 Variante C
 Allpolig
 2018-06
 MotionLinx Ai Fieldbus Controller
 EtherCAT



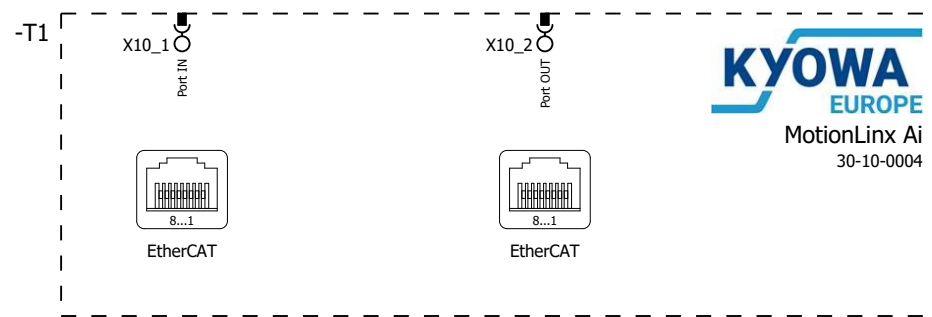
			Date	06.06.2018	Macros for Kyowa Europe GmbH			MotionLinx Ai	== KYO	Page 13 from 25 Page 3
			Ed.	SHE					= Feldbussteuerung	
			Appr						++ MotionLinx Ai	
Modification	Date	Name	Original		Replacement of	Replaced by	+ 30-10-0004			

KYO\MotionLinx Ai\30-10-0004.ema
 Variante D
 Allpolig
 2018-06
 MotionLinx Ai Fieldbus Controller
 EtherCAT



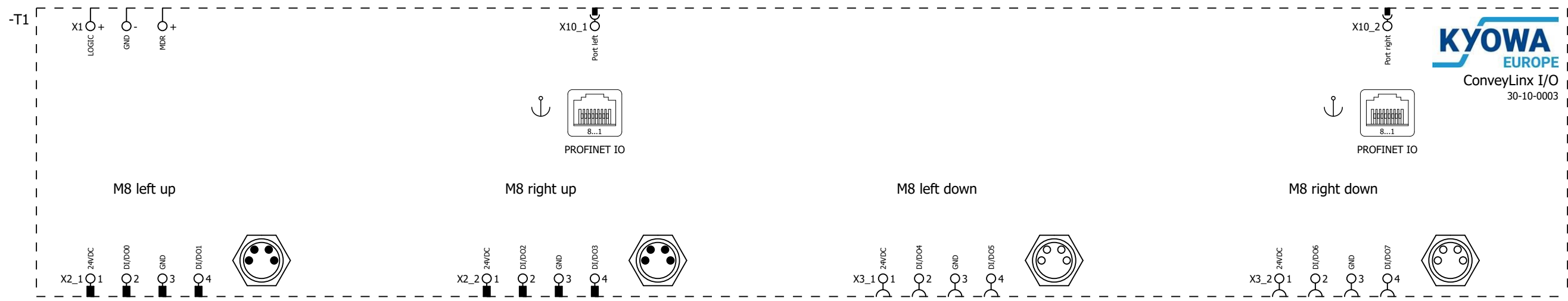
			Date	06.06.2018	Macros for Kyowa Europe GmbH			MotionLinx Ai	== KYO	Page 14	
			Ed.	SHE					= Feldbussteuerung		from 25
			Appr						++ MotionLinx Ai		
Modification	Date	Name	Original		Replacement of	Replaced by	+ 30-10-0004	Page 4			

KYO\MotionLinx Ai\30-10-0004.ema
 Variante A
 Einpolig
 2018-06
 MotionLinx Ai Fieldbus Controller
 EtherCAT



			Date	06.06.2018	Macros for Kyowa Europe GmbH			MotionLinx Ai	== KYO	Page 15	
			Ed.	SHE					= Feldbussteuerung		from 25
			Appr						++ MotionLinx Ai		
Modification	Date	Name	Original		Replacement of	Replaced by	+ 30-10-0004	Page 5			

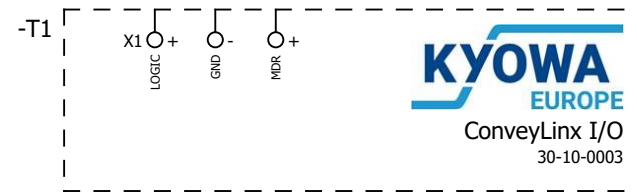
KYO\ConveyLinx I-O\30-10-0003.ema
 Variante A
 Allpolig
 2018-06
 ConveyLinx I/O module
 PROFINET, EtherNet/IP, Modbus/TCP



=Felddbussteuerung++MotionLinx Ai+30-10-0004/5

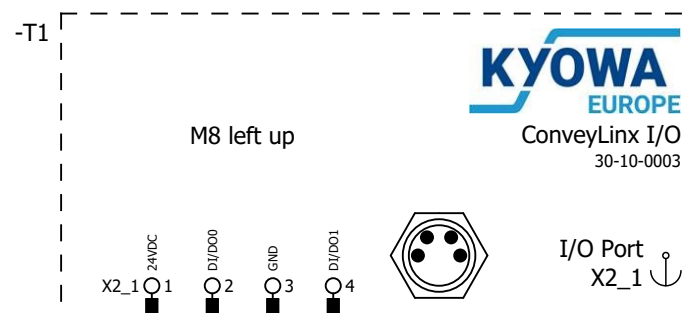
			Date	06.06.2018	Macros for Kyowa Europe GmbH		ConveyLinx I/O	== KYO	Page 16	
			Ed.	SHE				= I/O Modul		from 25
			Appr					++ ConveyLinx I/O		
Modification	Date	Name	Original		Replacement of	Replaced by	+ 30-10-0003	Page 1		

KYO\ConveyLinx I-O\30-10-0003.ema
 Variante B
 Allpolig
 2018-06
 ConveyLinx I/O module
 PROFINET, EtherNet/IP, Modbus/TCP



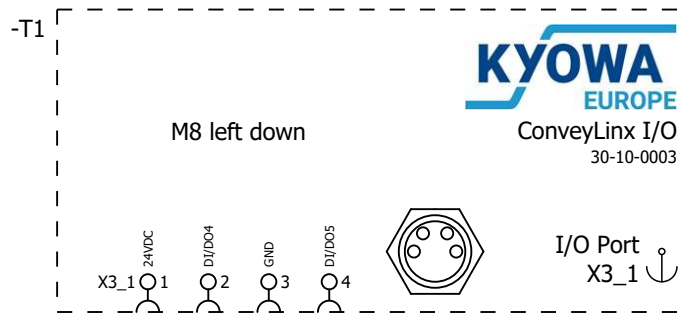
			Date	06.06.2018	Macros for Kyowa Europe GmbH		ConveyLinx I/O	== KYO	Page 17	
			Ed.	SHE				= I/O Modul		from 25
			Appr					++ ConveyLinx I/O		
Modification	Date	Name	Original		Replacement of	Replaced by		+ 30-10-0003	Page 2	

KYO\ConveyLinx I-O\30-10-0003.ema
 Variante C
 Allpolig
 2018-06
 ConveyLinx I/O module
 PROFINET, EtherNet/IP, Modbus/TCP



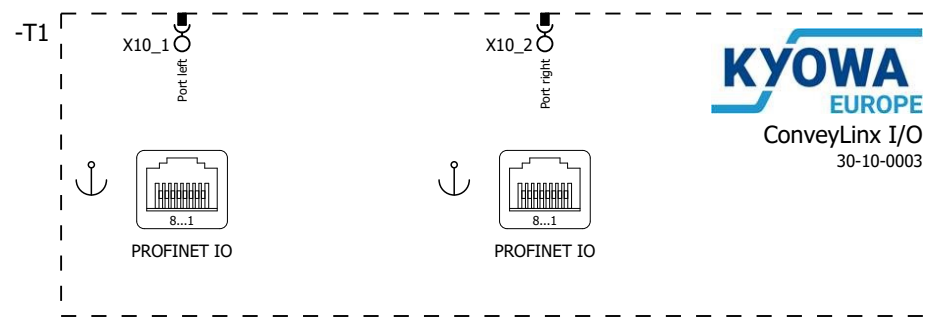
			Date	06.06.2018	Macros for Kyowa Europe GmbH			ConveyLinx I/O	== KYO	Page 18	
			Ed.	SHE					= I/O Modul		from 25
			Appr						++ ConveyLinx I/O		
Modification	Date	Name	Original		Replacement of	Replaced by	+ 30-10-0003	Page 3			

KYO\ConveyLinx I-O\30-10-0003.ema
 Variante D
 Allpolig
 2018-06
 ConveyLinx I/O module
 PROFINET, EtherNet/IP, Modbus/TCP



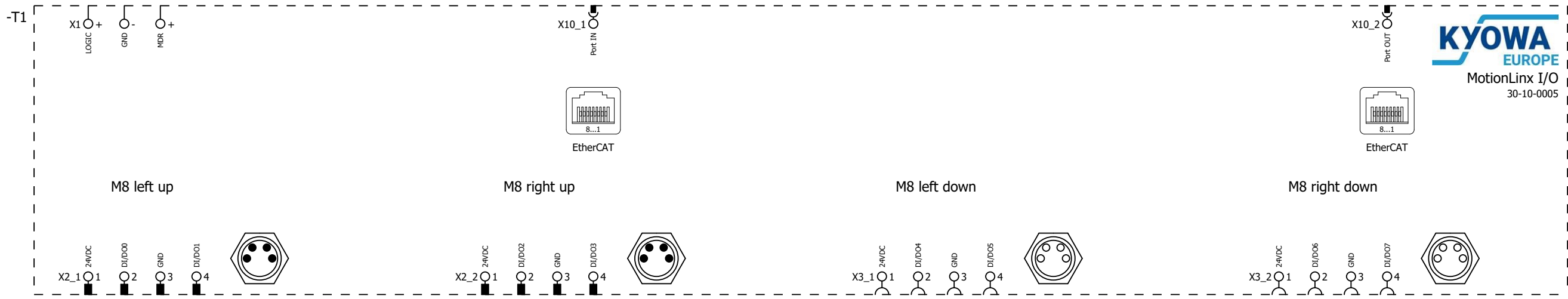
			Date	06.06.2018	Macros for Kyowa Europe GmbH		ConveyLinx I/O	== KYO	Page 19	
			Ed.	SHE				= I/O Modul		from 25
			Appr					++ ConveyLinx I/O		
Modification	Date	Name	Original	Replacement of	Replaced by	+ 30-10-0003	Page 4			

KYO\ConveyLinx I-O\30-10-0003.ema
 Variante A
 Einpolig
 2018-06
 ConveyLinx I/O module
 PROFINET, EtherNet/IP, Modbus/TCP



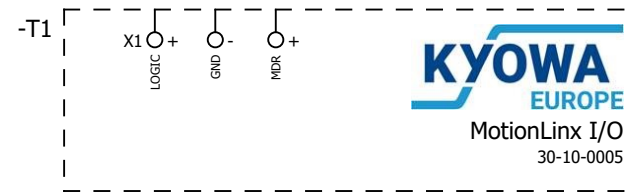
			Date	06.06.2018	Macros for Kyowa Europe GmbH			ConveyLinx I/O	== KYO	Page 20	
			Ed.	SHE					= I/O Modul		from 25
			Appr						++ ConveyLinx I/O		
Modification	Date	Name	Original		Replacement of	Replaced by			+ 30-10-0003	Page 5	

KYO\MotionLinx I-O\30-10-0005.ema
 Variante A
 Allpolig
 2018-06
 MotionLinx I/O module
 EtherCAT



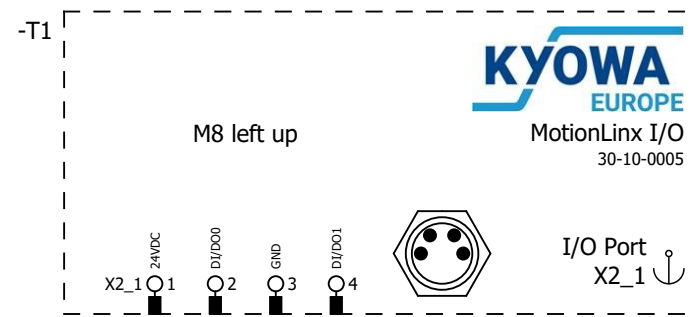
			Date	06.06.2018	Macros for Kyowa Europe GmbH		MotionLinx I/O	== KYO	== KYO = I/O Modul ++ MotionLinx I/O + 30-10-0005	Page	21
			Ed.	SHE				from		25	
			Appr								
Modification	Date	Name	Original		Replacement of	Replaced by		Page		1	

KYO\MotionLinx I-O\30-10-0005.ema
 Variante B
 Allpolig
 2018-06
 MotionLinx I/O module
 EtherCAT



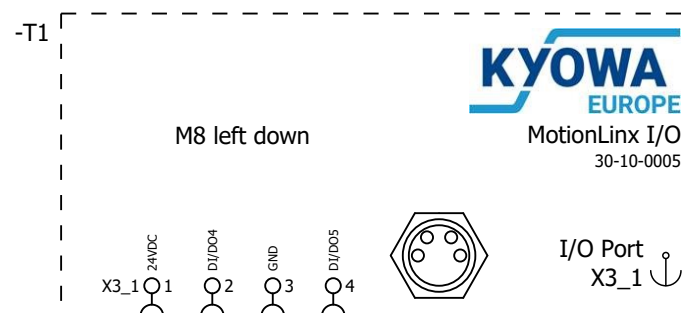
			Date	06.06.2018	Macros for Kyowa Europe GmbH		MotionLinx I/O	== KYO	Page 22	
			Ed.	SHE				= I/O Modul		from 25
			Appr					++ MotionLinx I/O		
Modification	Date	Name	Original		Replacement of	Replaced by		+ 30-10-0005	Page 2	

KYO\MotionLinx I-O\30-10-0005.ema
 Variante C
 Allpolig
 2018-06
 MotionLinx I/O module
 EtherCAT



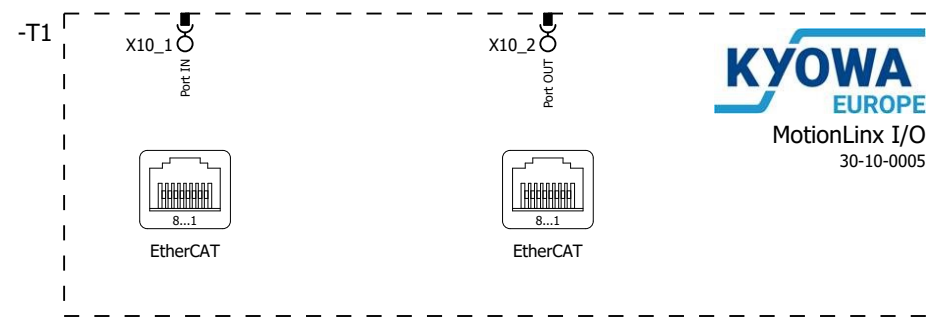
			Date	06.06.2018	Macros for Kyowa Europe GmbH		MotionLinx I/O	== KYO	Page 23	
			Ed.	SHE				= I/O Modul		from 25
			Appr					++ MotionLinx I/O		
Modification	Date	Name	Original		Replacement of	Replaced by		+ 30-10-0005	Page 3	

KYO\MotionLinx I-O\30-10-0005.ema
 Variante D
 Allpolig
 2018-06
 MotionLinx I/O module
 EtherCAT



			Date	06.06.2018	Macros for Kyowa Europe GmbH		MotionLinx I/O	== KYO	Page 24	
			Ed.	SHE				= I/O Modul		from 25
			Appr					++ MotionLinx I/O		
Modification	Date	Name	Original	Replacement of	Replaced by	+ 30-10-0005	Page 4			

KYO\MotionLinx I-O\30-10-0005.ema
 Variante A
 Einpolig
 2018-06
 MotionLinx I/O module
 EtherCAT



4

			Date	06.06.2018	Macros for Kyowa Europe GmbH			MotionLinx I/O	== KYO	Page 25	
			Ed.	SHE					= I/O Modul		from 25
			Appr						++ MotionLinx I/O		
Modification	Date	Name	Original		Replacement of	Replaced by			+ 30-10-0005	Page 5	