

Drives

SENERGY / SENERGY-Ai

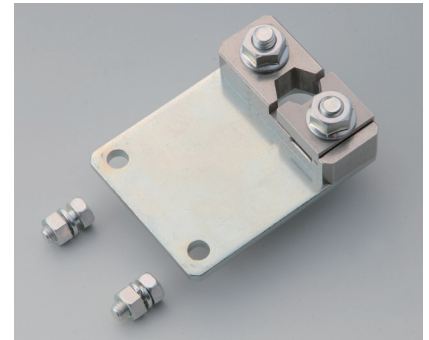
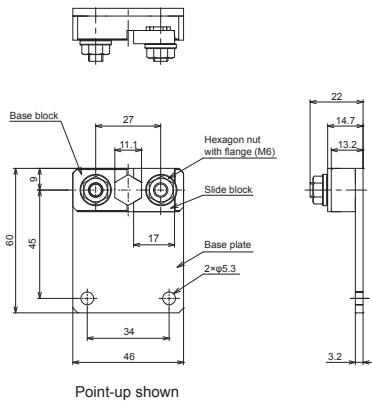
Motor End Fixing Bracket

- Included with each roller as standard
- Bracket type must be specified at time of order

Standard Profile

PR-D-30H-PU-N
(Point-up)

PR-D-30H-FU-N
(Flat-up)

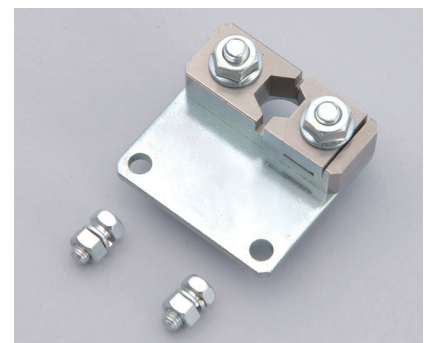
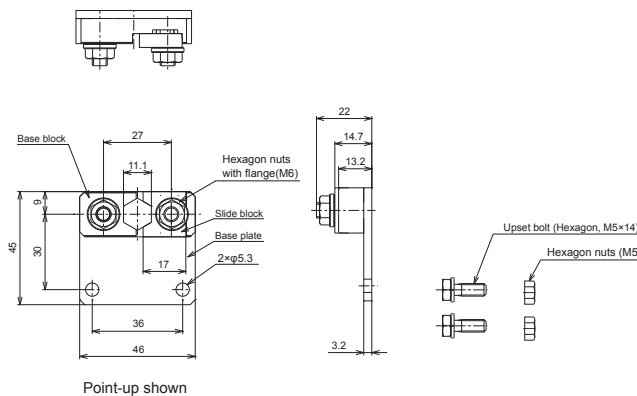


Tightening torque (M6) : 70.8 - 88.5 in-lbf
Tightening torque (M5) : 20.4 - 30.9 in-lbf

Short Profile

PR-D-30H-PU-N-ST
(Point-up)

PR-D-30H-FU-N-ST
(Flat-up)

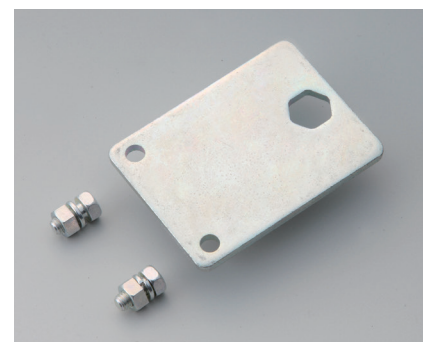
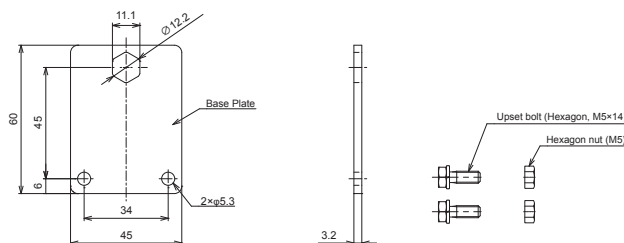


Tightening torque (M6) : 70.8 - 88.5 in-lbf
Tightening torque (M5) : 20.4 - 30.9 in-lbf

Idler End Fixing Bracket

- Optional accessory not included with each roller
- Must be purchased separately
- Available in Point-up configuration only

MR-DC-30P



Tightening torque (M5) : 20.4 - 30.9 in-lbf