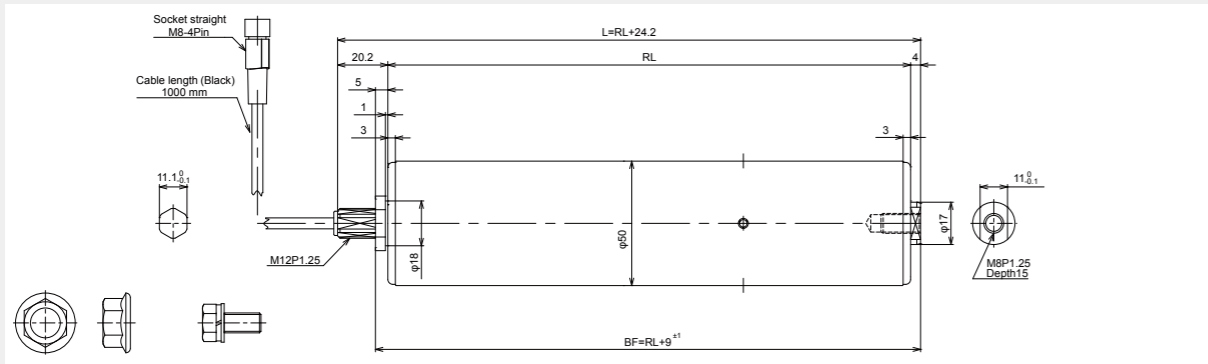


SENERGY-Ai

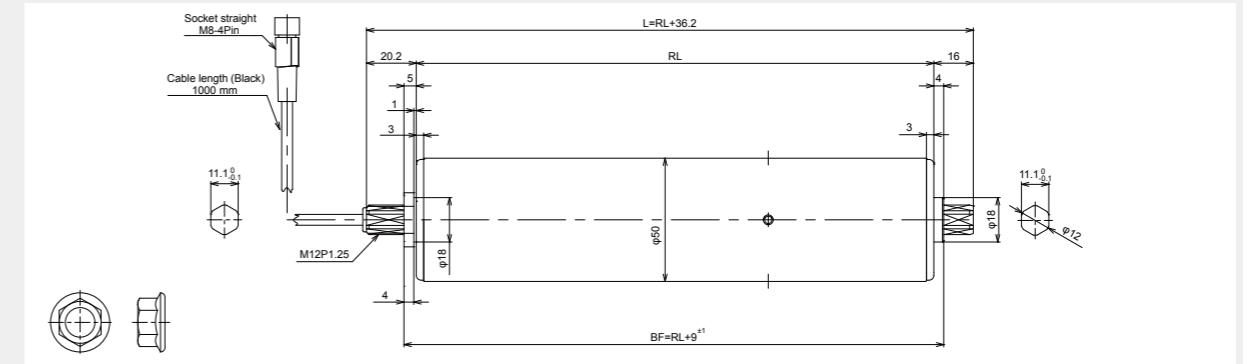


Dimensions (Reference drawing)

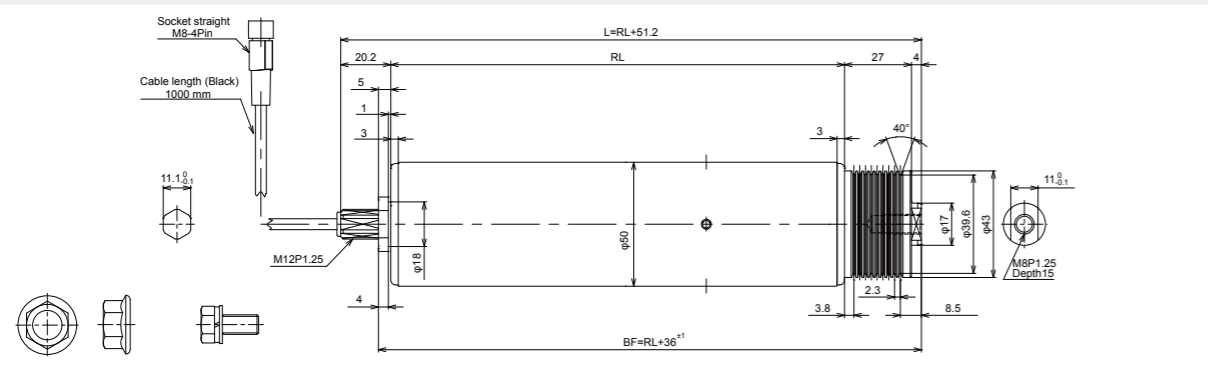
Plain straight



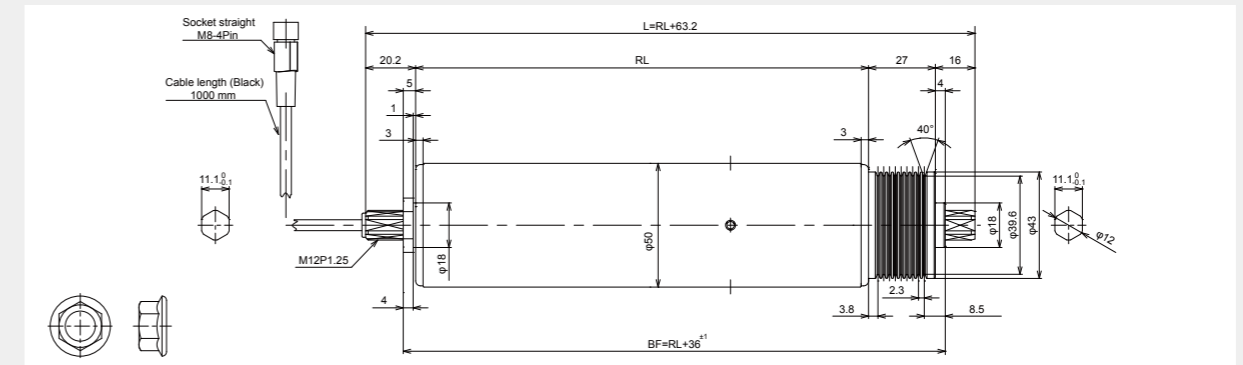
Plain straight



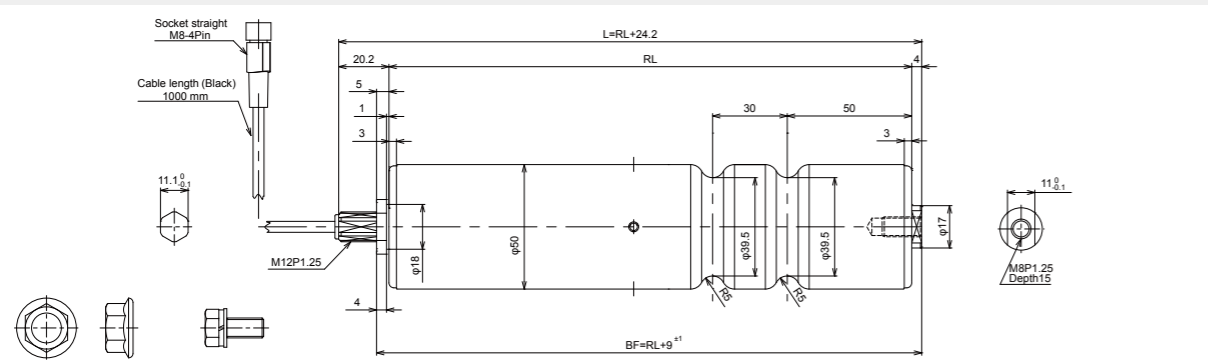
Micro V-Pulley



Micro V-Pulley



Round Grooves



Round Grooves

