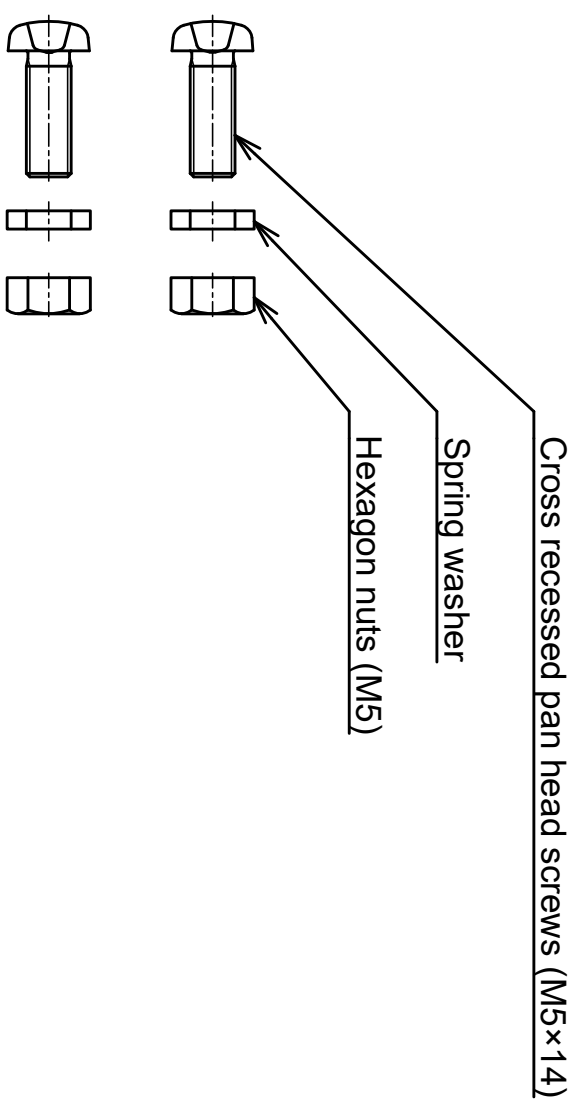


Fixing bracket (Base)



Cross recessed pan head screws (M5x14)

Spring washer

Hexagon nuts (M5)

REV.	DATE	DESCRIPTION	✓
A	21-MAY-2020	CONVERTED TO METRIC, UPDATE TITLE BLOCK	

THE INFORMATION CONTAINED HEREIN IS CONFIDENTIAL AND IS PROPRIETARY INFORMATION OF PULSEROLLER AND SHALL BE USED ONLY IN CONJUNCTION WITH AND PERFORMANCE OF THE CONTRACT OF WHICH THIS DRAWING FORMS A PART, AND SHALL NOT, WITHOUT PULSEROLLER PRIOR WRITTEN APPROVAL, BE REPRODUCED OR IN ANY OTHER WAY USED IN WHOLE OR IN PART BY OTHERS.

DATE: 21-MAR-2020  
 DESIGNED BY: JPK  
 CHECKED BY:  
 SCALE: NONE  
 SHEET: 1 OF 1

**PULSEROLLER**  
 WEB: WWW.PULSEROLLER.COM  
 SUPPORT: SUPPORT@PULSEROLLER.COM  
 SALES: SALES@PULSEROLLER.COM

TITLE: FIXING BRACKET - NON POWERED END  
 PART NUMBER MR-DC-30P  
 FOR: SENERGY ACCESSORIES  
 PULSEROLLER STANDARDS  
 DWG. NO: MR-DC-30P  
 REV: A