

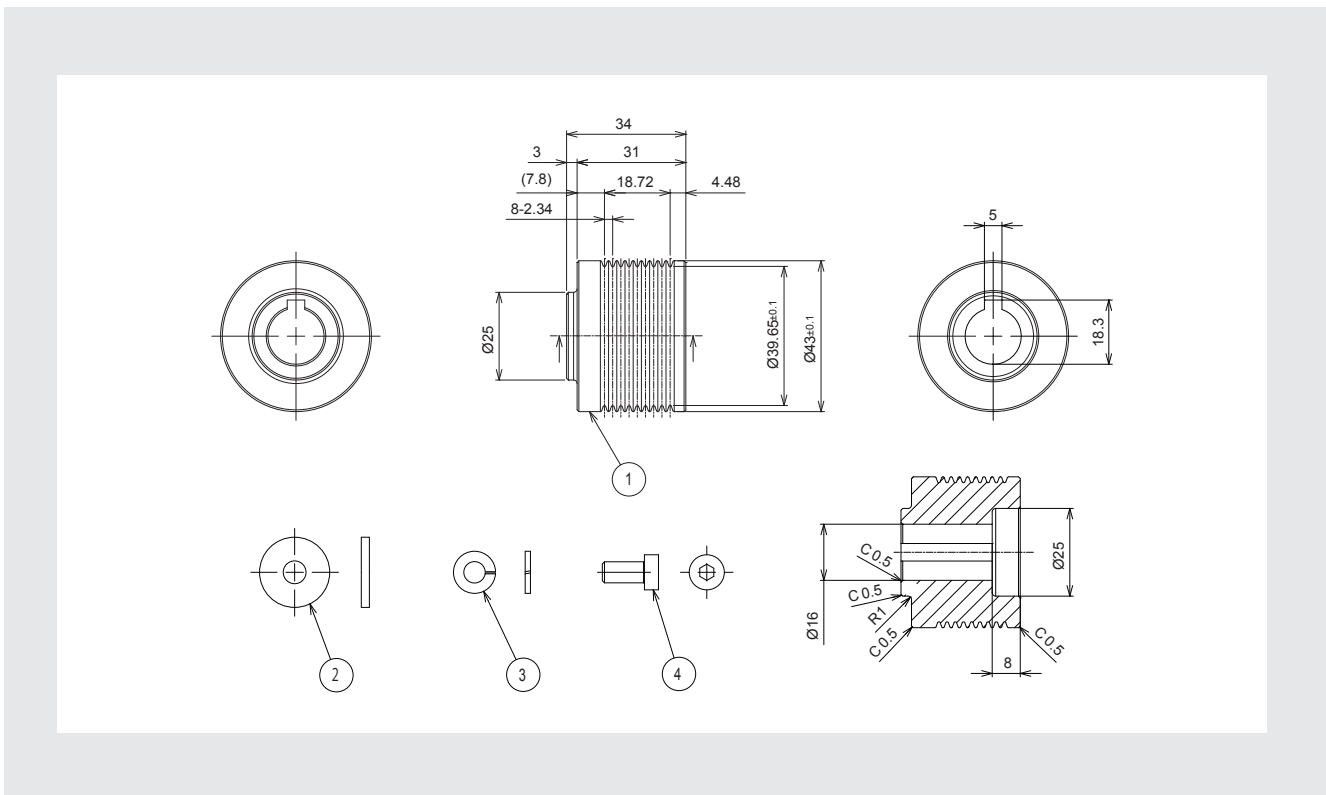
Accessory

Micro V-Pulley Kit for PGD Output Shaft

Part Number Definition

P G D - 0 6 - 0 0 1

Dimensions (mm)



PGD-06-001 KIT ITEMS

ITEM	DRAWING	DESCRIPTION	QTY
1	PGD-6-MVP-SNG-M	MICRO-V PULLEY HUB	1
2	PWB-20-6.5-2.3	PLAIN WASHER	1
3	SWB-M6	SPRING WASHER	1
4	LHB-M6-12	LOW HEAD HEXAGON SOCKET CAP SCREW	1