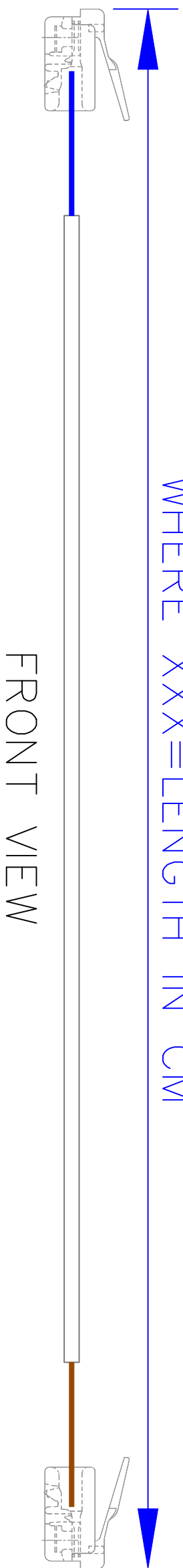
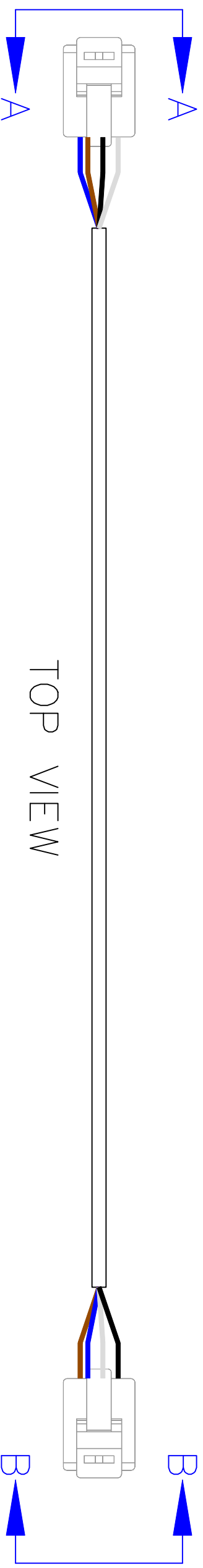


PART NUMBER IN-RJ12-XXX
 WHERE XXX=LENGTH IN CM

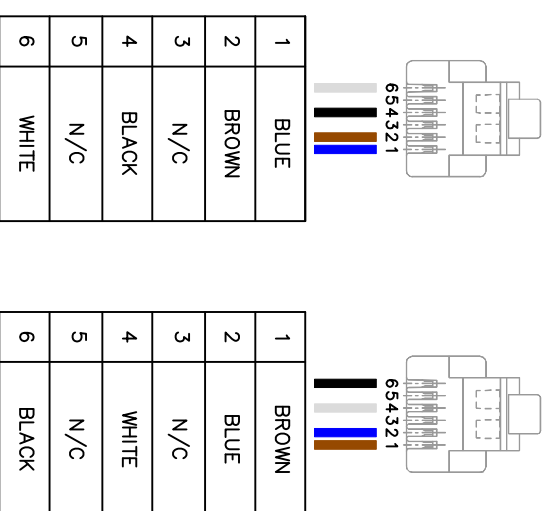


FRONT VIEW



TOP VIEW

VIEW A-A VIEW B-B



REV.	DATE	DESCRIPTION	✓

THE INFORMATION CONTAINED HEREIN IS CONFIDENTIAL, IS SUBMITTED IN CONFIDENCE, AND IS FOR PRELIMINARY INFORMATION ONLY IN CONSULTATION WITH SALES. PERFORMANCE OF THE CONTRACT OF WHICH THIS DRAWING FORMS A PART, AND SHALL NOT, WITHOUT PULSEROLLER PRIOR WRITTEN APPROVAL, BE REPRODUCED OR IN ANY OTHER WAY USED IN WHOLE OR IN PART BY OTHERS.

DATE: 16-APR-2020
 DESIGNED BY: JPK
 CHECKED BY:
 SCALE: NONE
 SHEET: 1 OF 1

TITLE: ERSC CONTROL PORT INTERLOCK CABLE
 PART NUMBER IN-RJ12-XXX
 FOR: CONVEYLINX ACCESSORIES
 PULSEROLLER STANDARDS
 DWG. NO: IN-RJ12-XXX
 REV:

