

1. SCOPE:

THIS SOURCE CONTROL DRAWING COVERS THE DETAILED REQUIREMENTS FOR FABRICATING THE STANDARD .5 METER MOTOR EXTENSION CABLE FOR 9 PIN JST EQUIPPED MOTORIZED DRIVE ROLLER

2. APPLICABLE DOCUMENTS:

NONE

3. REQUIREMENTS:

REQUIREMENTS SHOWN ARE FOR A SINGLE INDIVIDUAL CABLE ASSEMBLY

4. QUALITY:

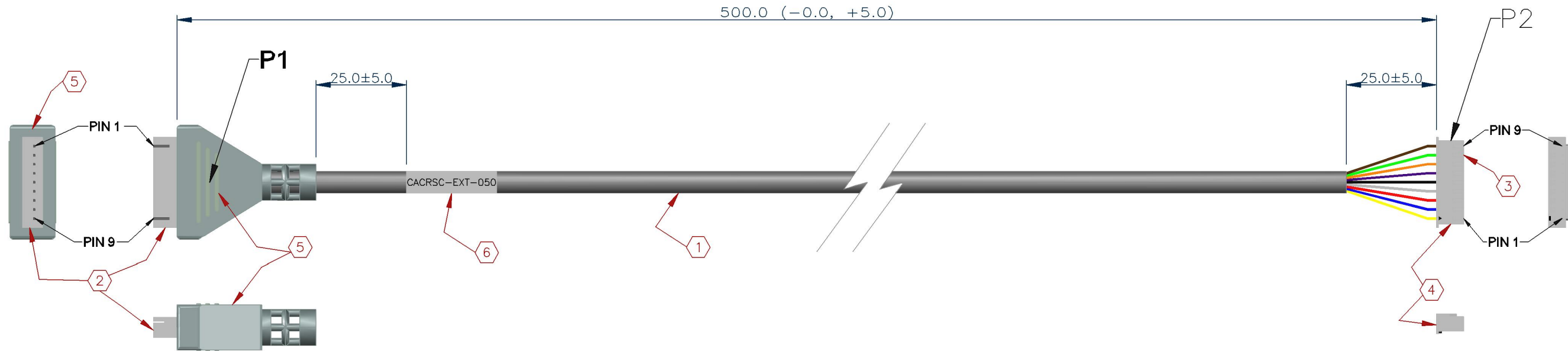
CABLE SHALL NOT HAVE ANY OPEN OR SHORT CONNECTIONS BETWEEN PINS, NO MIS-WIRING, OR NO INTERMITTENT FAILURES
 CABLE SHALL BE CONTINUITY CHECKED ON ALL PINS
 CABLE SHALL HAVE 300 VDC TEST, INSULATION RESISTANCE OF 5 MΩ MINIMUM, AND CONDUCTANCE RESISTANCE OF 5.0Ω MAXIMUM
 BUYER RESERVES RIGHT TO TEST ANY PIECE FOR COMPLIANCE TO THESE REQUIREMENTS AND RETURN FOR CREDIT OR REPLACEMENT OF ANY NON-CONFORMING ITEM

5. PREPARATION FOR DELIVERY:

CABLES ARE NOT TO BE INDIVIDUALLY PACKAGED AND ARE TO BE PACKAGED IN SINGLE BAGS OF 10 PIECES EACH

BILL OF MATERIAL				
REF	QTY	MANUFACTURER	PART NUMBER	DESCRIPTION
1	500 mm	BELDEN OR EQUIV.	9423 OR EQUIV	CABLE, 22 AWG, 9 COND., UNSHIELDED, PVC-JACKET, 180V, 80°C
2	1	JST	B08-X1A	HEADER, 2.5MM SPACING, MALE, 9 PIN, 3A
3	9	JST	SD1-001-T-POD.8	TERMINAL, CRIMP STYLE, 3A
4	1	JST	X1P-9	CONNECTOR HOUSING, 2.5MM SPACING, FEMALE, 9 CIRCUIT, 3A
5	1			PVC MOLD, TYPE 48P
6	1	BRADY OR EQUIV	PS-375-2W-8	LABEL, HEAT-SHRINK SLEEVE, 2 in. X .125 X .320

WIRING CHART		
P1 PIN	P2 PIN	WIRE COLOR
1	1	YELLOW
2	2	BLUE
3	3	RED
4	4	WHITE
5	5	BLACK
6	6	VIOLET
7	7	ORANGE
8	8	GREEN
9	9	BROWN



SOURCE CONTROL DRAWING
 PART NUMBER: CACRSC-EXT-050
 PART DESCRIPTION: CABLE, MOTOR EXTENSION , .5 METER



THE INFORMATION CONTAINED HEREIN IS CONFIDENTIAL, IS SUBMITTED IN CONFIDENCE AND IS PROPRIETARY INFORMATION OF INSIGHT AUTOMATION INC. AND SHALL BE USED ONLY IN CONJUNCTION WITH, AND PERFORMANCE OF, THE CONTRACT OF WHICH THIS DRAWING FORMS A PART, AND SHALL NOT, WITHOUT INSIGHT AUTOMATION, INC. PRIOR WRITTEN APPROVAL, BE REPRODUCED OR IN ANY OTHER WAY USED IN WHOLE OR IN PART BY OTHERS.	DATE: 31-MAR-09	CUST.NO: STD. PART	TITLE: CABLE ASSEMBLY
	DESIGNED BY: JPK	EST.NO:	MOTOR EXTENSION - CARSC-EXT-050
	CHECKED BY:	ORD.NO:	FOR: CONVEYTRAX / CONVEYLINX STANDARDS ACCESSORIES
		SCALE: NONE	DWG. NO: CACRSC-EXT-050
		SHEET:	REV:

REV.	DATE	DESCRIPTION