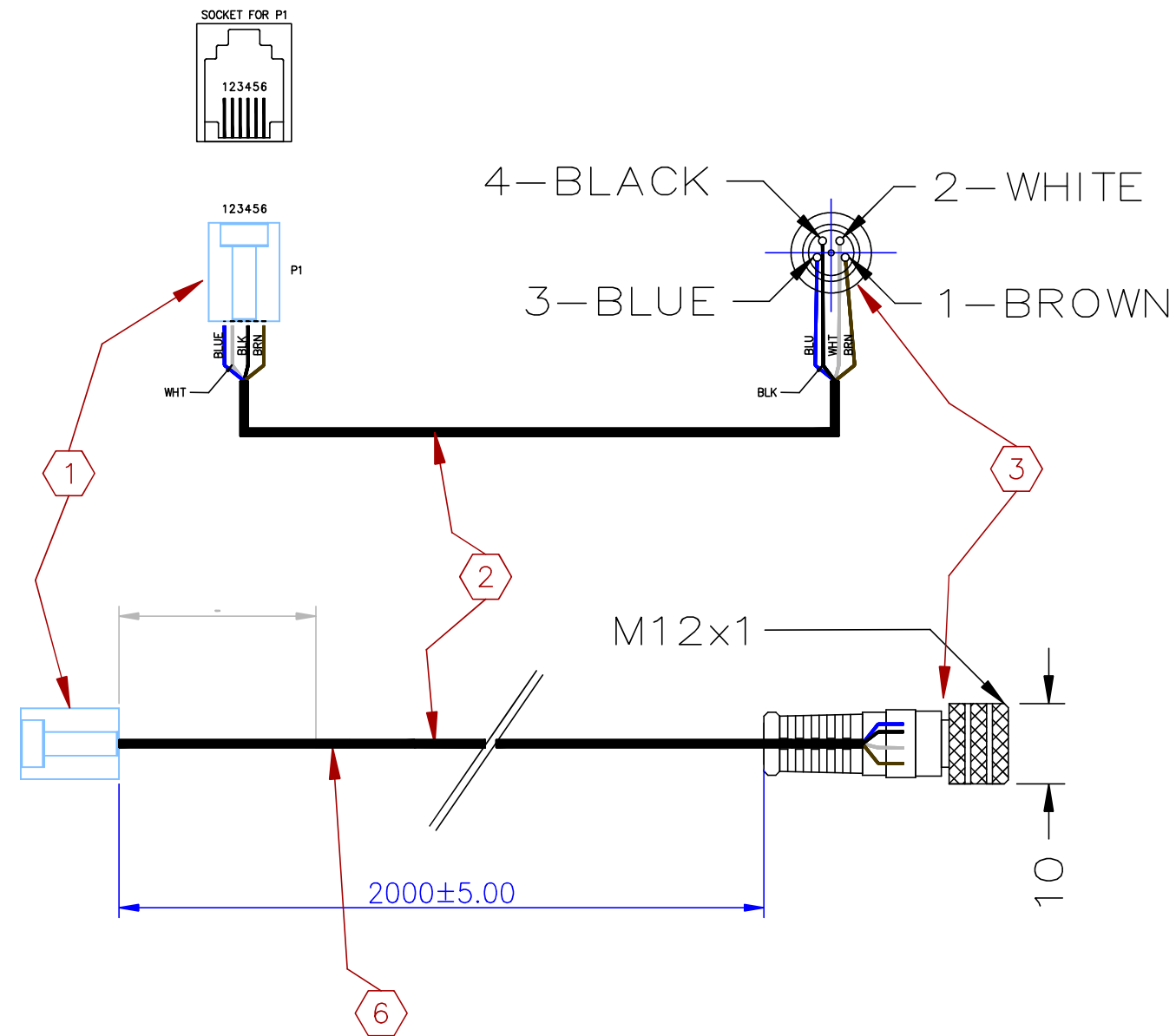


MATERIAL SPECIFICATIONS:

1. INSERT: BLACK PBT
2. CONTACTS: BRASS W/GOLD FLASH (0.125 MICRONS)
OVER PALLADIUM/NICKEL PLATING (0.51 MICRONS).
3. COUPLING NUT: NICKEL PLATED BRASS
4. OVERMOLD: BLACK TPE
5. O-RING: RED VITON
6. CABLE: #24/4 BLACK PUR JACKETED, PUR INSULATED CONDUCTORS,
300V, UL RECOGNIZED, CSA APPROVAL.
7. TEMPERATURE RANGE: -20°C TO 80°C.
8. CABLE OD .194"



WIRING DIAGRAM		
P1	WIRE COLOR	P2
1	NOT USED	
2	BLUE	3
3	WHITE	2
4	BLACK	4
5	BROWN	1
6	NOT USED	

PULSEROLLER
 WEB: WWW.PULSEROLLER.COM
 SUPPORT: SUPPORT@PULSEROLLER.COM
 SALES: SALES@PULSEROLLER.COM

REV.	DATE	DESCRIPTION	✓	THE INFORMATION CONTAINED HEREIN IS CONFIDENTIAL, IS SUBMITTED IN CONFIDENCE AND IS PROPRIETARY INFORMATION OF INSIGHT AUTOMATION INC. AND SHALL BE USED ONLY IN CONJUNCTION WITH, AND PERFORMANCE OF, THE CONTRACT OF WHICH THIS DRAWING FORMS A PART, AND SHALL NOT, WITHOUT INSIGHT AUTOMATION, INC. PRIOR WRITTEN APPROVAL, BE REPRODUCED OR IN ANY OTHER WAY USED IN WHOLE OR IN PART BY OTHERS.	DATE: 03/21/2014 DESIGNED BY: CHECKED BY:	CUST.NO: EST.NO: ORD.NO: SCALE: NONE SHEET: 1	TITLE: M12 CABLE TO RJ11 FOR USE W/ IN-PE-RJ11 FOR: CONTROL DRAWING DWG. NO: IN-M12-RJ11	REV:
------	------	-------------	---	---	---	---	---	------