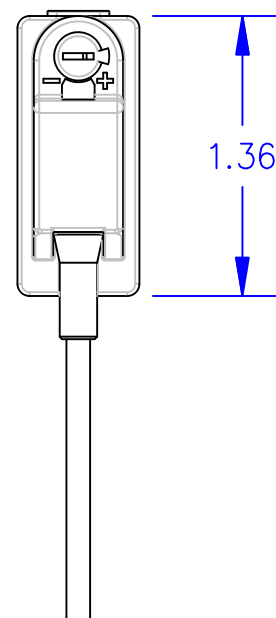
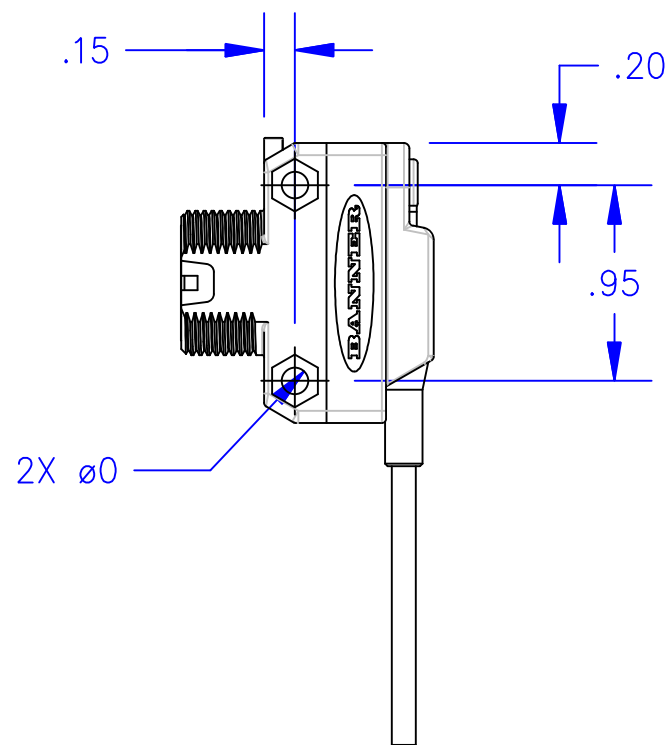
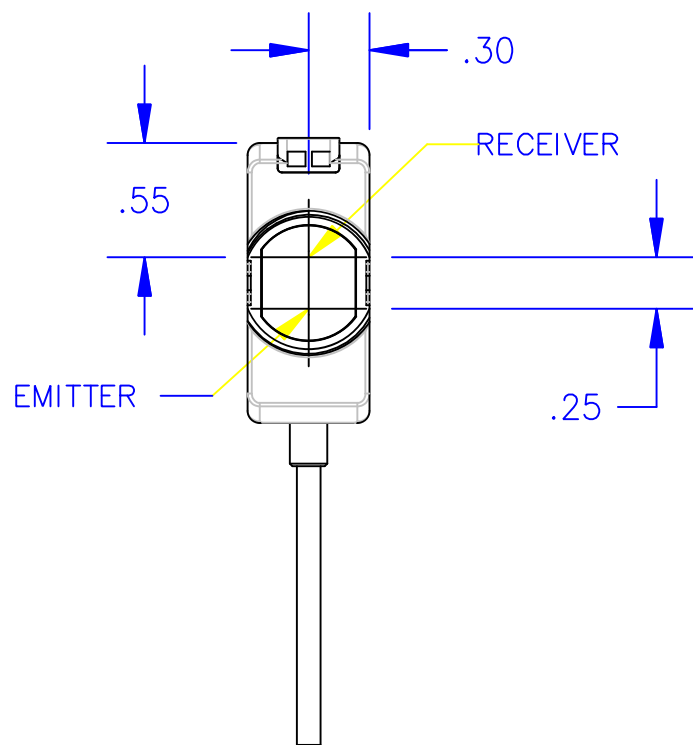
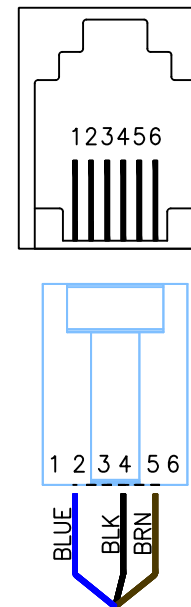


WIRING DIAGRAM		
P1	WIRE COLOR	
1	NOT USED	
2	BLUE	0VDC
3	NOT USED	
4	BLACK	Output
5	BROWN	24VDC
6	NOT USED	



SOCKET FOR P1



NOTES:
 1. ALL DIMENSIONS ARE MILLIMETERS [INCHES] UNLESS OTHERWISE NOTED.

PULSEROLLER
 WEB: WWW.PULSEROLLER.COM
 SUPPORT: SUPPORT@PULSEROLLER.COM
 SALES: SALES@PULSEROLLER.COM

REV.	DATE	DESCRIPTION	✓	THE INFORMATION CONTAINED HEREIN IS CONFIDENTIAL, IS SUBMITTED IN CONFIDENCE AND IS PROPRIETARY INFORMATION OF INSIGHT AUTOMATION INC. AND SHALL BE USED ONLY IN CONJUNCTION WITH, AND PERFORMANCE OF, THE CONTRACT OF WHICH THIS DRAWING FORMS A PART, AND SHALL NOT, WITHOUT INSIGHT AUTOMATION, INC. PRIOR WRITTEN APPROVAL, BE REPRODUCED OR IN ANY OTHER WAY USED IN WHOLE OR IN PART BY OTHERS.	DATE: 07/18/2015 DESIGNED BY: CHECKED BY:	CUST.NO: EST.NO: ORD.NO: SCALE: NONE SHEET: 1	TITLE: PHOTO-EYE W/ RJ12 CONNECTOR KIT WITH BRACKET & REFLECTOR FOR: CONTROL DRAWING DWG. NO: IN1-PE-RJ11-1 REV:
------	------	-------------	---	---	---	---	---